

PMH Panel Mount Power Supply

12V 54W 1 Phase (NEC Class 2) / PMH-12V100WCMT



PMH



Highlights & Features

- Household appliance approvals for pollution degree 3 to IEC/EN 60335-1, IEC/EN 61558-1 and IEC/EN 61558-2-16
- Universal AC input voltage
- Withstand line input voltage surge 300Vac up to 7 seconds
- Full power 54W up to 70°C
- Full corrosion resistant aluminium casing
- No load power consumption < 0.3W @ 115Vac
- Low earth leakage current < 0.75mA
- Certified according to IEC/EN/UL 62368-1

Safety Standards



CB Certified for worldwide use

Model Number: PMH-12V100WCMT
Unit Weight: 0.31 kg (0.68 lb)
Dimensions (L x W x D): 129 x 97 x 30 mm
 (5.08 x 3.82 x 1.18 inch)

General Description

The PMH-12V100WCMT offers universal input from 85Vac to 264Vac with nominal output voltage of 12V. The highly efficient convection cooling construction can operate from -30°C to 70°C. The single output is specifically designed with compact and competitively priced for household electrical appliances safety approvals to pollution degree 3 as well as including IEC/EN 60335-1, IEC/EN 61558-2-16, IEC/EN/UL 60950-1, IEC/EN/UL 62368-1 (with NEC Class 2). In addition, the product meets the EMC approvals to EN 61000-6-2 / EN 61000-6-3 for industrial and residential environment without extra EMI filter required.

Model Information

PMH Panel Mount Power Supply

Model Number	Input Voltage Range	Rated Output Voltage	Rated Output Current
PMH-12V100WCMT	85-264Vac (120-375Vdc)	12Vdc	4.5A

Model Numbering

PM	H –	12V	100W	C	M	T
Panel Mount	Product Type H – Household Series	Output Voltage	100W Series	Package Type C – Enclosed	M – Low Profile with NEC Class 2	Connector Type T – Harness

PMH Panel Mount Power Supply

12V 54W 1 Phase (NEC Class 2) / PMH-12V100WCMT



Specifications

Input Ratings / Characteristics

Nominal Input Voltage	100-240Vac
Input Voltage Range*	85-264Vac
Nominal Input Frequency	50-60Hz
Input Frequency Range	47-63Hz
DC Input Voltage Range**	120-375Vdc
Input Current	< 1.50A @ 115Vac, < 0.80A @ 230Vac
Efficiency at 100% Load	> 83% @115Vac & 230Vac
Max Power Dissipation	No Load < 0.3W @ 115Vac, < 0.5W @ 230Vac
	100% Load < 11.0W @ 115Vac & 230Vac
Max Inrush Current (Cold Start)	< 30A @ 115Vac, < 60A @ 230Vac
Leakage Current	< 0.75mA @ 240Vac

*For power de-rating at 85-100Vac, see power de-rating on page 3.

**Fulfills test conditions for DC input. Safety approval for DC input can be obtained upon request.

Output Ratings / Characteristics***

Nominal Output Voltage	12Vdc
Factory Set Point Tolerance	12Vdc \pm 2%
Output Voltage Adjustment Range	11-12Vdc
Output Current	0-4.5A (54W max.)
Output Power	54W
Line Regulation	< 1.0% (@ 100-264Vac input, 100% load)
Load Regulation	< 2.0% (@ 100-264Vac input, 0-100% load)
PARD**** (20MHz)	< 120mVpp
Rise Time	< 100ms @ nominal input (100% load)
Start-up Time	< 2500ms @ 115Vac (100% load), < 1500ms @ 230Vac (100% load)
Hold-up Time	> 5ms @ 115Vac, > 25ms @ 230Vac (100% load)
Dynamic Response (Overshoot & Undershoot O/P Voltage)	\pm 5% @ 100-264Vac input, 0-50%, 0-100%, 50-100% load (Slew Rate: 0.1A/ μ S, 50% duty cycle @ 5Hz to 1kHz)
Start-up with Capacitive Loads	3,000 μ F Max

***For power de-rating from < -25°C to -30°C, and 50°C to 70°C, see power de-rating on page 3.

****PARD is measured with an AC coupling mode, 5cm wires, and in parallel with 0.1 μ F ceramic capacitor & 47 μ F electrolytic capacitor.

PMH Panel Mount Power Supply

12V 54W 1 Phase (NEC Class 2) / PMH-12V100WCMT



Mechanical

Case Chassis / Cover		Aluminium	
Dimensions (L x W x D)		129 x 97 x 30 mm (5.08 x 3.82 x 1.18 inch)	
Unit Weight		0.31 kg (0.68 lb)	
Indicator		Green LED (DC OK)	
Cooling System		Convection	
Terminal	Input	Power Supply Header B3P(6-2.3.5)-VH(LF)(SN)	Mating Connector VHR-6N
	Output	B4P7-VH(LF)(SN)	VHR-7N
Wire		AWG 20-18	
Noise (1 Meter from power supply)		Sound Pressure Level (SPL) < 25dBA	

Environment

Surrounding Air Temperature	Operating	-30°C to +70°C
	Storage	-40°C to +85°C
Power De-rating	Temperature	120Vac < -25°C de-rate power by 5.0% / °C
	Input Voltage	< 100Vac de-rate power by 1.33%/°C
Operating Humidity		5 to 95% RH (Non-Condensing)
Operating Altitude		0 to 5,000 Meters (16,400 ft.)
Shock Test	Non-Operating	IEC 60068-2-27, 30G (300m/S ²) for a duration of 18ms, 3 times per direction, 9 times in total
Vibration	Non-Operating	IEC 60068-2-6, 10Hz to 150Hz @ 50m/S ² (5G peak); displacement of 0.35mm; 20 min per axis for all X, Y, Z direction
Bump	Non-Operating	IEC 60068-2-29, 10G (100m/S ²) for a duration of 11ms, 1000 times per direction, 6000 times in total
Over Voltage Category		II
Pollution Degree		3

PMH Panel Mount Power Supply

12V 54W 1 Phase (NEC Class 2) / PMH-12V100WCMT



Protections

Overvoltage	< 17.5V, SELV Output, Latch mode
Overload / Overcurrent	115~150% of rated load current, Hiccup mode, Non-Latching (Auto recovery)
Over Temperature	< 85°C Surrounding Air Temperature @ 100% load, Latch mode
Short Circuit	Hiccup Mode, Non-Latching (Auto-recovery when the fault is removed)
Internal Fuse at L pin	T 3.15AH
Protection Against Shock	Class I with PE* connection

*PE: Primary Earth

Reliability Data

MTBF	> 700,000 hrs. as per Telcordia SR-332 I/P: 115Vac & 230Vac, O/P: 100% load, Ta: 25°C
Expected Cap Life Time	10 years (115Vac & 230Vac, 50% load @ 40°C)

Safety Standards / Directives

Safety Entry Low Voltage	SELV (EN 60950-1)	
Electrical Safety	SIQ Bauart	EN 60950-1, EN 62368-1
	UL/cUL recognized	UL 60950-1, UL 62368-1 and CSA C22.2 No. 60950-1, 62368-1 (File No. E191395)
	CB scheme	IEC 60950-1, IEC 62368-1, IEC 60335-1, IEC 61558-1, IEC 61558-2-16
Class 2 Power Supply	UL/cUL recognized	UL 60950-1, UL 62368-1 and CSA C22.2 No. 60950-1, 62368-1 (File No. E191395)
CE	In conformance with EMC Directive 2014/30/EU and Low Voltage Directive 2014/35/EU	
Material and Parts	RoHS Directive 2011/65/EU Compliant	
Galvanic Isolation	Input to Output	4.0KVac
	Input to Ground	2.0KVac
	Output to Ground	1.0KVdc

PMH Panel Mount Power Supply

12V 54W 1 Phase (NEC Class 2) / PMH-12V100WCMT



EMC

Emissions (CE & RE)		EN 55011, EN 55032, CISPR 32, FCC Title 47: Class B, EN 61000-6-3	
Component Power Supply for General Use		EN 61204-3	
Immunity		EN 55024, EN 61000-6-2	
Electrostatic Discharge	IEC 61000-4-2	Level 3 Criteria A ¹⁾ Air Discharge: 8kV Contact Discharge: 6kV	
Radiated Field	IEC 61000-4-3	Level 3 Criteria A ¹⁾ 80MHz-1GHz, 10V/M with 1kHz tone / 80% modulation 1.4GHz-2GHz, 3V/M with 1kHz tone / 80% modulation 2GHz-2.7GHz, 1V/M with 1kHz tone / 80% modulation	
Electrical Fast Transient / Burst	IEC 61000-4-4	Level 3 Criteria A ¹⁾ 2kV	
Surge	IEC 61000-4-5	Level 4 Criteria A ¹⁾ Common Mode ³⁾ : 4kV Differential Mode ⁴⁾ : 2kV	
Conducted	IEC 61000-4-6	Level 3 Criteria A ¹⁾ 150kHz-80MHz, 10Vrms	
Power Frequency Magnetic Fields	IEC 61000-4-8	Criteria A ¹⁾ 30A/Meter	
Voltage Dips and Interruptions	IEC 61000-4-11	0% of 100Vac, 20ms 40% of 100Vac, 200ms 70% of 100Vac, 500ms 0% of 100Vac, 5000ms 0% of 240Vac, 20ms 40% of 240Vac, 200ms 70% of 240Vac, 500ms 0% of 240Vac, 5000ms	Criteria A ¹⁾ Criteria B ²⁾ Criteria A ¹⁾ Criteria B ²⁾ Criteria A ¹⁾ Criteria B ²⁾ Criteria A ¹⁾ Criteria B ²⁾
Low Energy Pulse Test (Ring Wave)	IEC 61000-4-12	Level 3 Criteria A ¹⁾ Common Mode ³⁾ : 2kV Differential Mode ⁴⁾ : 1kV	
Harmonic Current Emission		IEC/EN 61000-3-2, Class A	
Voltage Fluctuation and Flicker		IEC/EN 61000-3-3	

1) Criteria A: Normal performance within the specification limits
 2) Criteria B: Temporary degradation or loss of function which is self-recoverable
 3) Asymmetrical: Common mode (Line to earth)
 4) Symmetrical: Differential mode (Line to line)

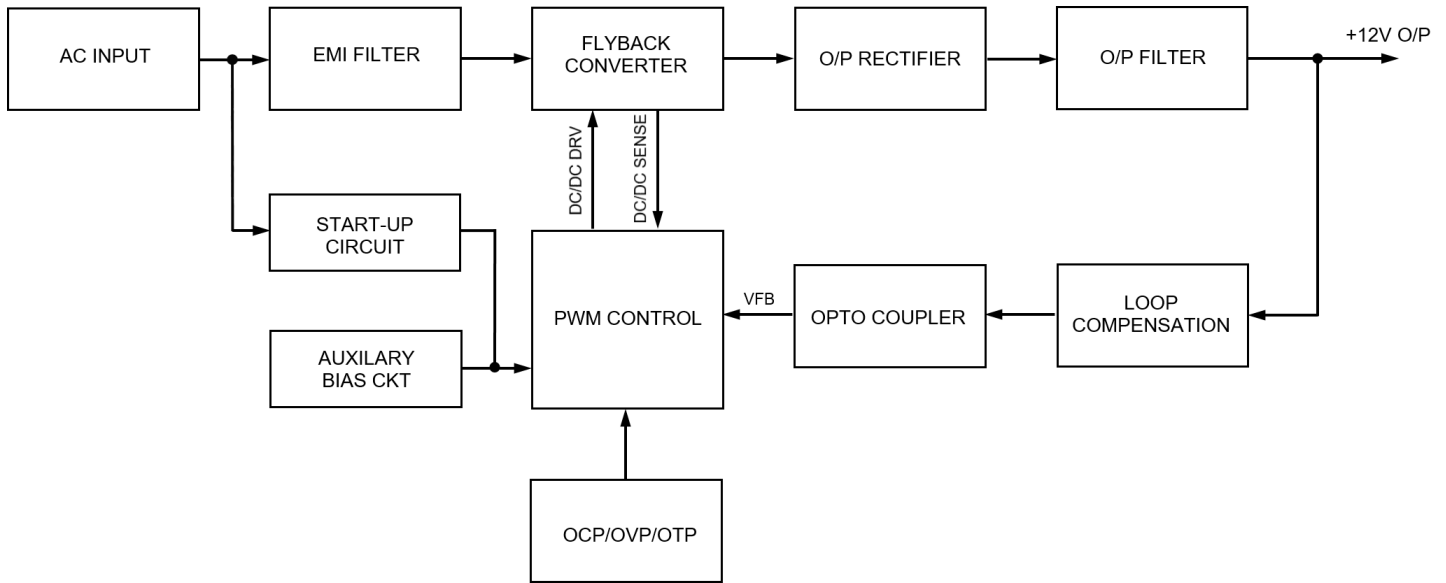


PMH Panel Mount Power Supply

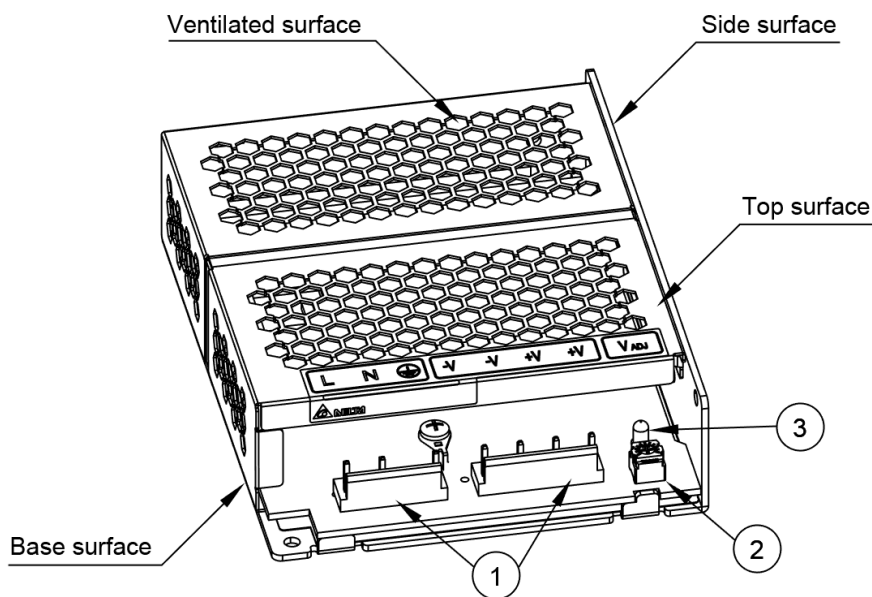
12V 54W 1 Phase (NEC Class 2) / PMH-12V100WCMT



Block Diagram



Device Descriptions



- 1) Input & Output connector
- 2) DC voltage adjustment potentiometer
- 3) DC OK control LED (Green)

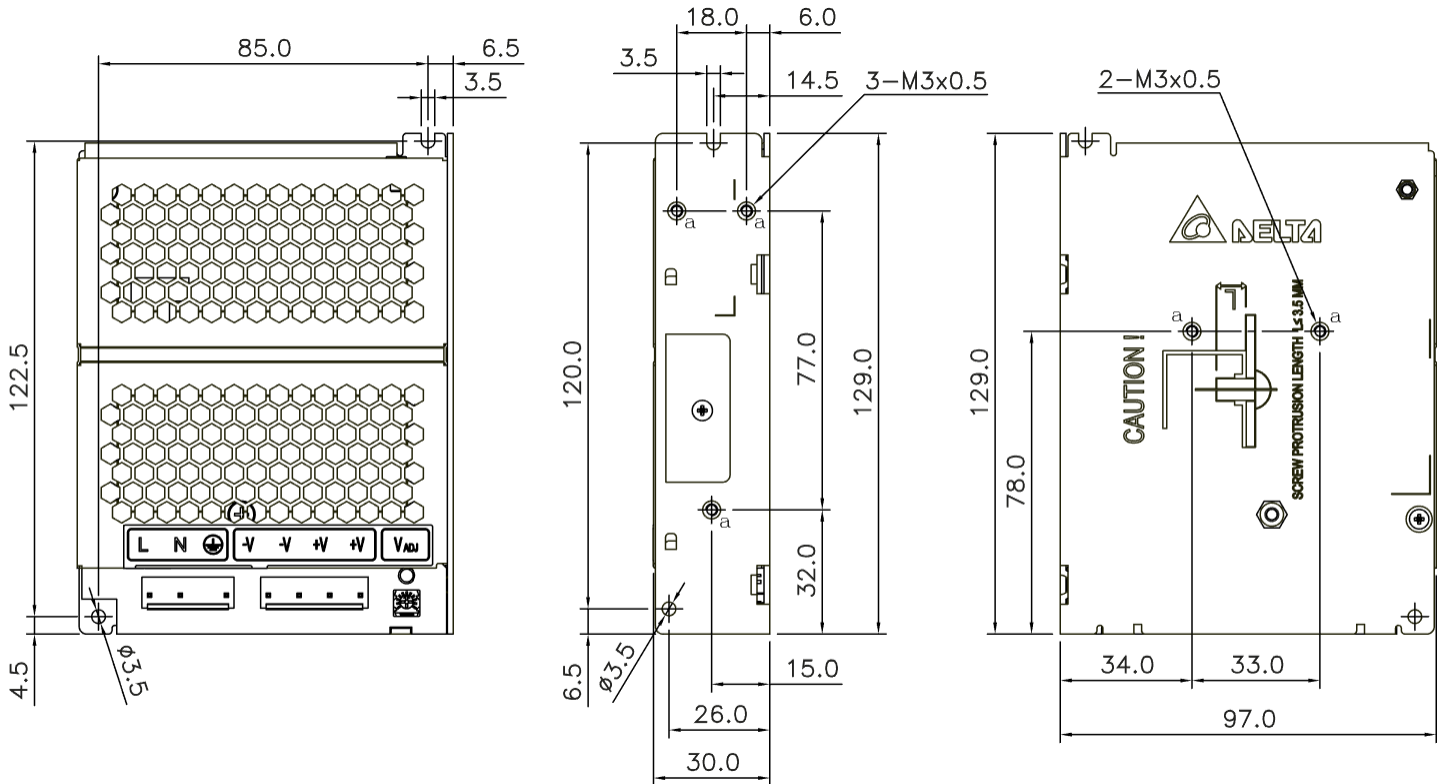
PMH Panel Mount Power Supply

12V 54W 1 Phase (NEC Class 2) / PMH-12V100WCMT



Dimensions

L x W x D: 129 x 97 x 30 mm (5.08 x 3.82 x 1.18 inch)



Engineering Data

Output Load De-rating VS Surrounding Air Temperature

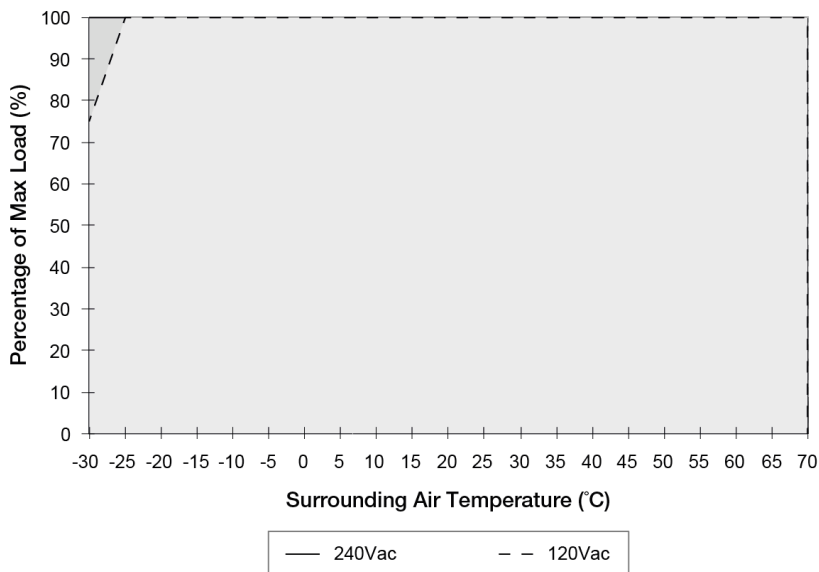


Fig. 1 De-rating for Vertical and Horizontal Mounting Orientation 120Vac
 < -25°C de-rate power by 5.0% / °C

Note

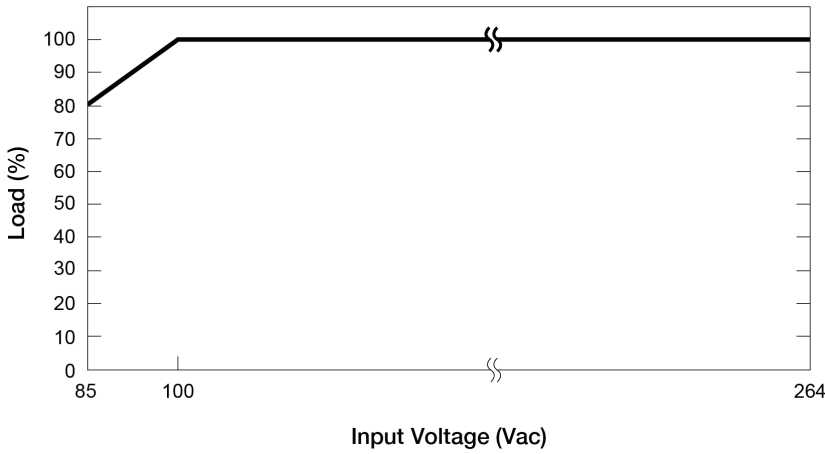
1. Power supply components may degrade, or be damaged, when the power supply is continuously used outside the shaded region, refer to the graph shown in Fig. 1.
2. If the output capacity is not reduced when surrounding air temperature exceeds its specification as defined on Page 3 under "Environment", the device will run into Over Temperature Protection. When activated, power supply will go into Latch mode, until the surrounding air temperature is lowered or the load is reduced as far as necessary to keep the device in working condition, and require removal/re-application of input AC voltage in order to restart.
3. In order for the device to function in the manner intended, it is also necessary to keep a safety distance as recommended in the safety instructions while the device is in operation.
4. Depending on the surrounding air temperature and output load delivered by the power supply, the device can be very hot!
5. If the device has to be mounted in any other orientation, please contact info@deltapsu.com for more details.

PMH Panel Mount Power Supply

12V 54W 1 Phase (NEC Class 2) / PMH-12V100WCMT



Output Load De-rating VS Input Voltage



■ No output power de-rating for the input voltage from 100Vac to 264Vac

Assembly & Installation

- Ⓐ Mounting holes for power supply assembly onto the mounting surface. The power supply shall be mounted on minimum 2 mounting holes using M3 screw minimum 5mm (0.20 inch) length.
- Ⓑ This surface belongs to customer's end system or panel where the power supply is mounted.
- Ⓒ Connector

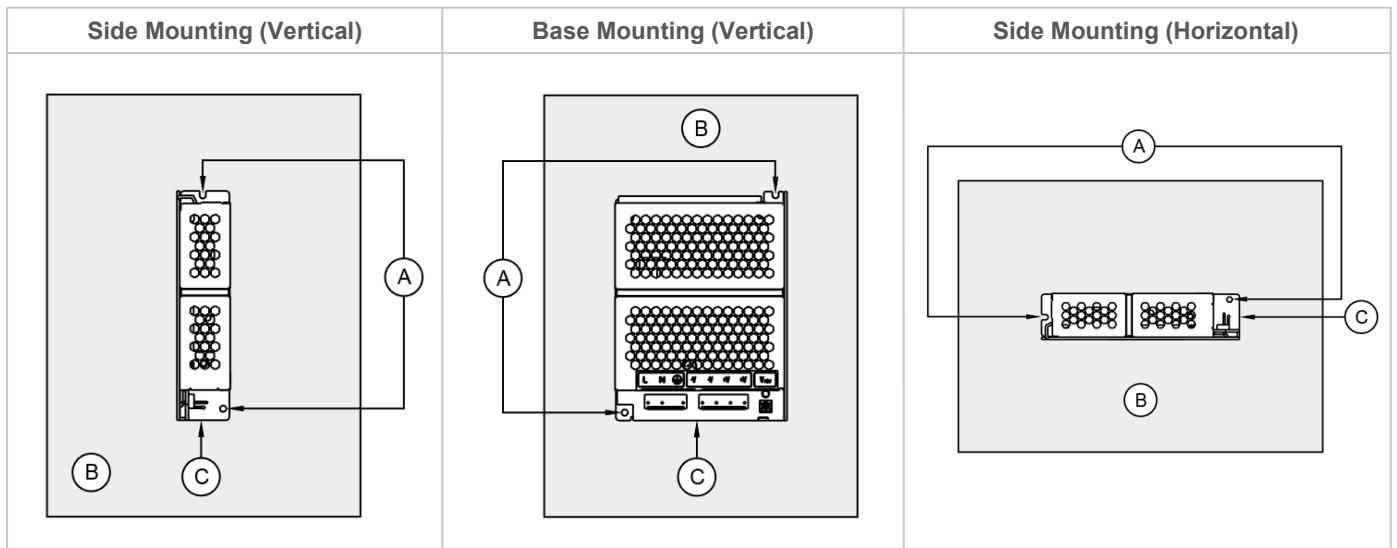


Fig. 2 Mounting Orientation

- Please refer the table below for the recommended mating connector, terminal and AWG wire size.

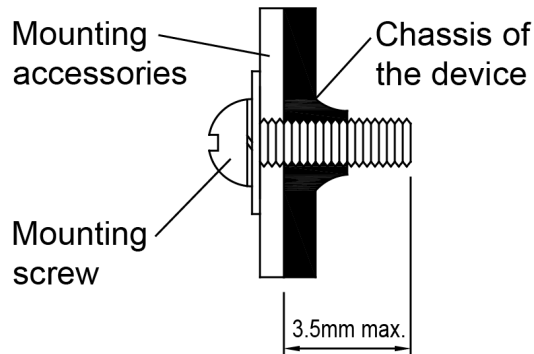
	Power Supply Header	Mating Connector	Terminal	AWG
Input (JST)	B3P(6-2.3.5)-VH(LF)(SN)	VHR-6N	SVH-21T-P1.1	20-18
Output (JST)	B4P7-VH(LF)(SN)	VHR-7N	SVH-21T-P1.1	20-18

PMH Panel Mount Power Supply

12V 54W 1 Phase (NEC Class 2) / PMH-12V100WCMT



Installation of Mounting Accessories



- Only use M3 screw $\leq 3.5\text{mm}$ (0.14 inch) through the base mounting holes. This is to keep a safety distance between the screw and internal components.
- Recommended mounting tightening torque: 4~8Kgf.cm (3.47~6.94 lbf.in).

Safety Instructions

- To ensure sufficient convection cooling, always maintain a safety distance of $\geq 50\text{mm}$ (1.97 inch) from all ventilated surfaces while the device is in operation.
- The device is not recommended to be placed on surface with low thermal conductivity, such as plastics, for example.
- Note that the enclosure of the device can become very hot depending on the ambient temperature and load of the power supply. Do not touch the device while it is in operation or immediately after power is turned OFF. Risk of burning!
- Do not touch the terminals while power is being supplied. Risk of electric shock.
- Prevent any foreign metal, particles or conductors from entering the device through the openings during installation. It may cause: Electric shock; Safety Hazard; Fire; Product failure
- The appliance is not to be used by persons (including children) with reduced physical, sensory or mental capabilities, or lack of experience and knowledge, unless they have been given supervision or instruction.
- Warning: When connecting the device, secure Earth connection before connecting L and N. When disconnecting the device, remove L and N connections before removing the Earth connection.
- The device is earthed and must be inaccessible.

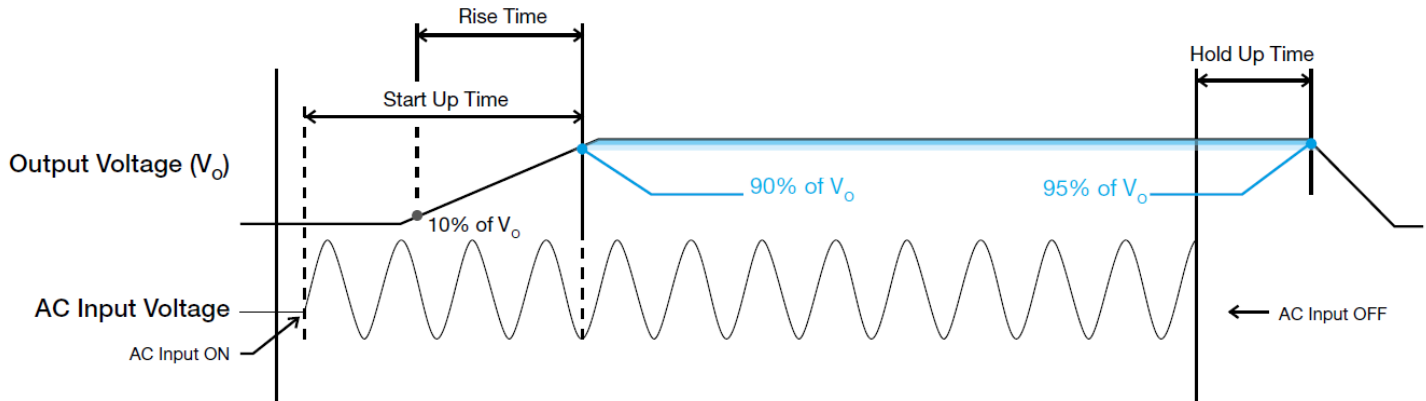
PMH Panel Mount Power Supply

12V 54W 1 Phase (NEC Class 2) / PMH-12V100WCMT



Functions

- Graph illustrating the Start-up Time, Rise Time, and Hold-up Time



Start-up Time

The time required for the output voltage to reach 90% of its final steady state set value, after the input voltage is applied.

Rise Time

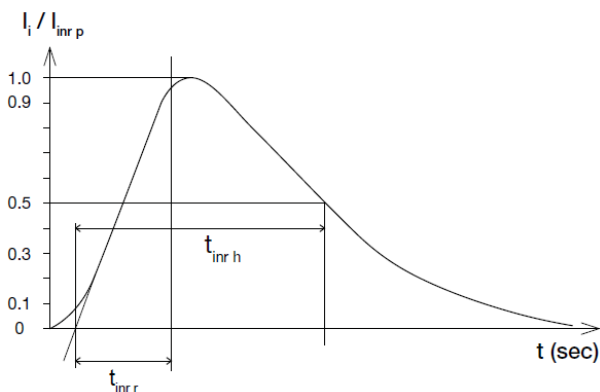
The time required for the output voltage to change from 10% to 90% of its final steady state set value.

Hold-up Time

Time between the collapse of the AC input voltage, and the output falling to 95% of its steady state set value.

Inrush Current

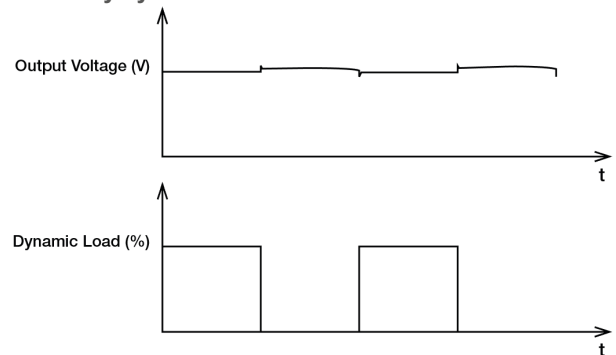
Inrush current is the peak, instantaneous, input current measured and, occurs when the input voltage is first applied. For AC input voltages, the maximum peak value of inrush current will occur during the first half cycle of the applied AC voltage. This peak value decreases exponentially during subsequent cycles of AC voltage.



Dynamic Response

The power supply output voltage will remain within $\pm 5\%$ of its steady state value, when subjected to a dynamic load from 0% to 50%, 0% to 100% and 50% to 100% of its rated current.

- 50% duty cycle / 5Hz to 1kHz



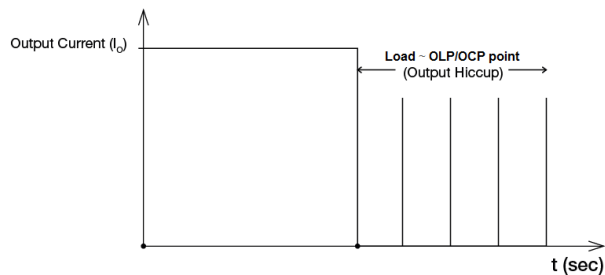
PMH Panel Mount Power Supply

12V 54W 1 Phase (NEC Class 2) / PMH-12V100WCMT



Overload & Overcurrent Protections (Auto-Recovery)

The power supply's Overload (OLP) and Overcurrent (OCP) Protections will be activated when output current (I_o) exceeds its specification as defined on Page 4 under "Protections". In such occurrence, the output voltage (V_o) will start to droop and once the power supply has reached its maximum power limit, the protection is activated and the power supply will go into "Hiccup mode" (Auto-Recovery). The power supply will recover once the fault condition of the OLP and OCP is removed and I_o is back within the specifications.

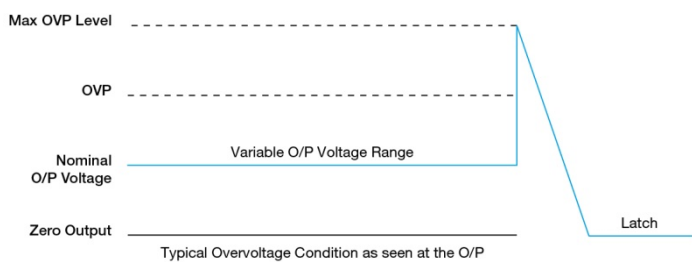


It is not recommended to prolong the duration of I_o when it is less than OLP/OCP point, but greater than 100%, since it may cause damage to the PSU.

Overvoltage Protection (Latch Mode)

The power supply's overvoltage circuit will be activated when its internal feedback circuit fails. The output voltage shall not exceed its specifications defined on Page 4 under "Protections". Power supply will latch, and require removal/re-application of input AC voltage in order to restart.

The power supply should be latch, and require removal/re-application of input AC voltage in order to restart.



External Input Protection Device

The unit is protected with internal fuse (not replaceable) at L pin and it has been tested and approved on 20A (UL) and 16A (IEC) branch circuits without additional protection device. An external protection device is only required if the supplying branch has an ampacity greater than above. Thus, if an external protective device is necessary, or, utilized, please refer a minimum value of 16A B- or 8A C- characteristic breaker should be used.

Short Circuit Protection (Auto-Recovery)

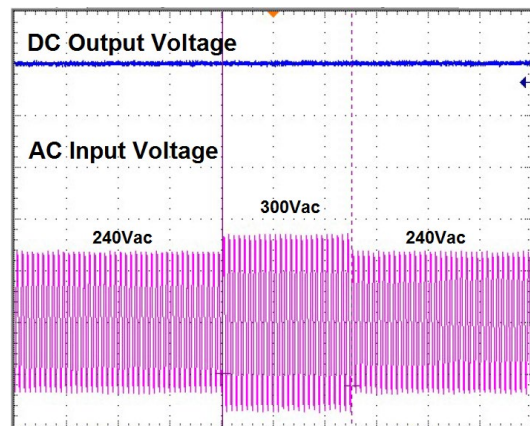
The power supply's output OLP/OCP function also provides protection against short circuits. When a short circuit is applied, the output current will operate in "Hiccup mode", as shown in the illustration in the OLP/OCP section on this page. The power supply will return to normal operation after the short circuit is removed.

Over Temperature Protection (Latch Mode)

As described in load de-rating section, the power supply also has Over Temperature Protection (OTP). In the event of a higher operating temperature at 100% load, the power supply will run into OTP when the operating temperature is beyond what is recommended in the de-rating graph. When activated, the output voltage will go into latch mode until the surrounding air temperature drops to its normal operating temperature or the load is reduced as recommended in the de-rating graph. Removal/re-application of input AC voltage will then be required in order to restart.

Line Input Voltage Surge

The power supply is operating with 100% load, the line input voltage is switched to the voltage surge from 240Vac to 300Vac (50Hz) and back to 240Vac with a 10% duty cycle. The unit shall survive repeated applications of the line voltage surges with no component damage. The power supply's output voltages shall remain within the specified range during and subsequent to these line voltage surges.



PMH Panel Mount Power Supply

12V 54W 1 Phase (NEC Class 2) / PMH-12V100WCMT



Operating Mode

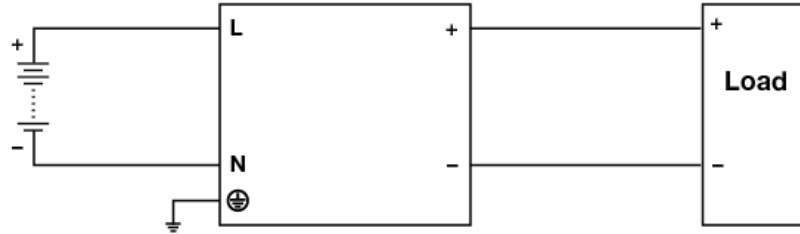


Fig. 3 DC Input Operation Connection Diagram

■ DC Input Operation

Step 1.

Use a battery or similar DC source.

Step 2.

Connect +pole to L and -pole to N.

Step 3.

Connect the PE terminal to an earth wire or to the machine ground.

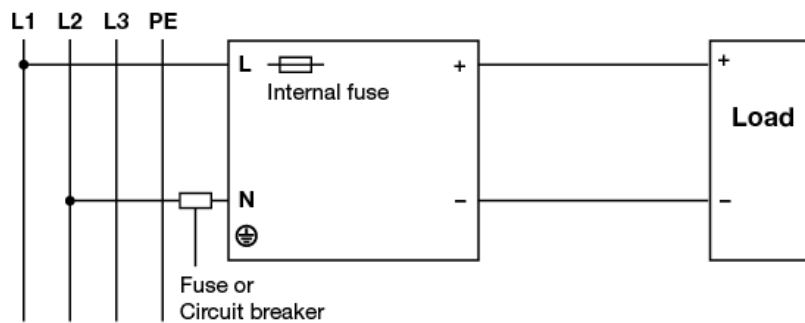


Fig. 4 2 of 3 Phase System Input Operation Connection Diagram

■ 2 of 3 Phase System Input Operation

Delta's PMH can use on 2 of 3 phase system. Please refer to the following step.

Step 1.

The input voltage applied from Line to Neutral is below the maximum rated input. The input voltage shall be below 240Vac +10%.

Step 2.

The external protector is needed on N (Neutral) input line to secure a safety. N line does not have internal fuse protection. An appropriate fuse or circuit breaker should be connected in series with N input line connection like the following.

PMH Panel Mount Power Supply

12V 54W 1 Phase (NEC Class 2) / PMH-12V100WCMT



Others

Delta RoHS Compliant



Restriction of the usage of hazardous substances

The European directive 2011/65/EU limits the maximum impurity level of homogeneous materials such as lead, mercury, cadmium, chrome, polybrominated flame retardants PBB and PBDE for the use in electrical and electronic equipment. RoHS is the abbreviation for "Restriction of the use of certain hazardous substances in electrical and electronic equipment".

This product conforms to this standard.

PFC – Norm EN 61000-3-2



Line Current Harmonic content

Typically, the input current waveform is not sinusoidal due to the periodical peak charging of the input capacitor. In industrial environment, complying with EN 61000-3-2 is only necessary under special conditions. Complying to this standard can have some technical drawbacks, such as lower efficiency as well as some commercial aspects such as higher purchasing costs. Frequently, the user does not profit from fulfilling this standard, therefore, it is important to know whether it is mandatory to meet this standard for a specific application.

Power Outlet

Fagerstagatan 9, 163 53 Spånga, Sweden

Phone: +46 8 795 93 10, Mail: sales@power-outlet.com, Website: www.power-outlet.com