

P2 - M Series 2 and 3 - Pole Extendable Connector Series

- Comply With IEC / EN60998-2-2
- Easy Mounting ("Fixing - Snaps" is Optional)
- With Interlocking Dovetails to Extend
- Prints on Buttons: L / N (2-pole), N / E / L (3-pole) or Customized Printing (Example 2-pole: DA+ / DA-)

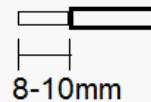
Specification

Housing:	Polyamide 66
Metal Part:	Plated Brass / Steel Spring
Voltage (V):	IEC / EN 450V
Ampere (A):	9A for Wiring 0,75mm ² 17,5A for Wiring 1,5mm ² Solid

Wiring Capacity (mm²)

	Stranded / Flexible	Solid
Installation / User Side	0,5 - 0,75	0,5 - 1,5
	Solid / Flexible	Solid
Factory Wiring Side	0,5 - 0,75	0,5 - 1,5

Strip Length of Cable: 8-10mm



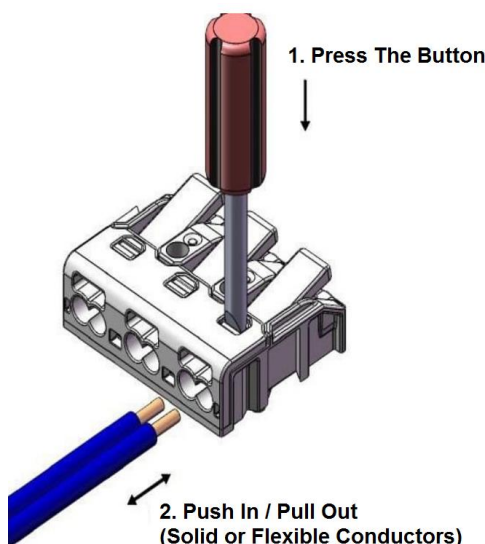
Packing Details

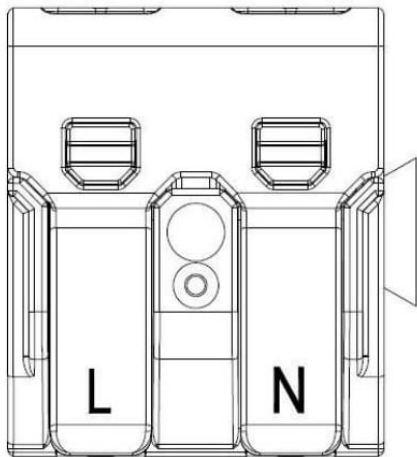
1000pcs per exp ctn

Product Code

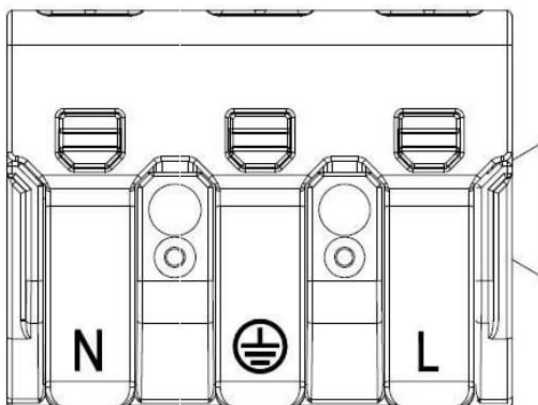
P2-M

—	Blank: No Fixing-Snaps
—	J: With Fixing-Snaps
—	2: 2-pole
—	3: 3-pole

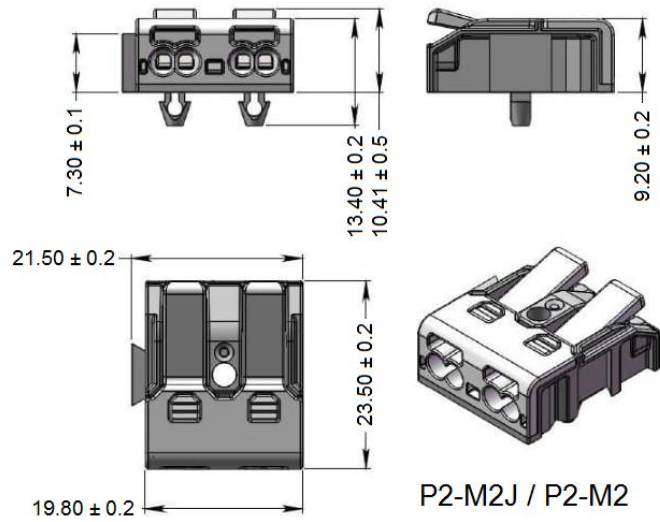




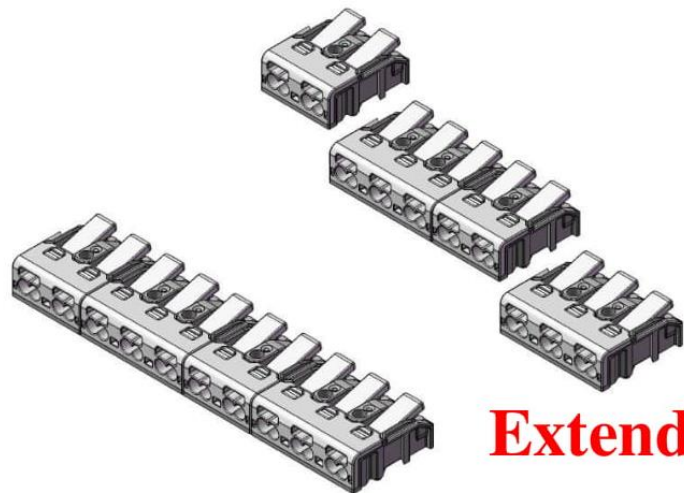
P2-M2J



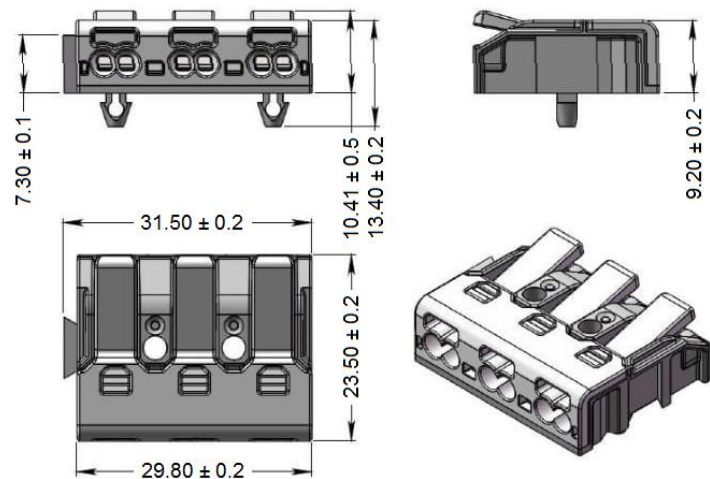
P2-M3J



P2-M2J / P2-M2



Extendable



P2-M3J / P2-M3